



Oasis QE Series - Quad Element

Cartridge Filters

Delivering exceptional performance and reliability for your swimming pool or spa.

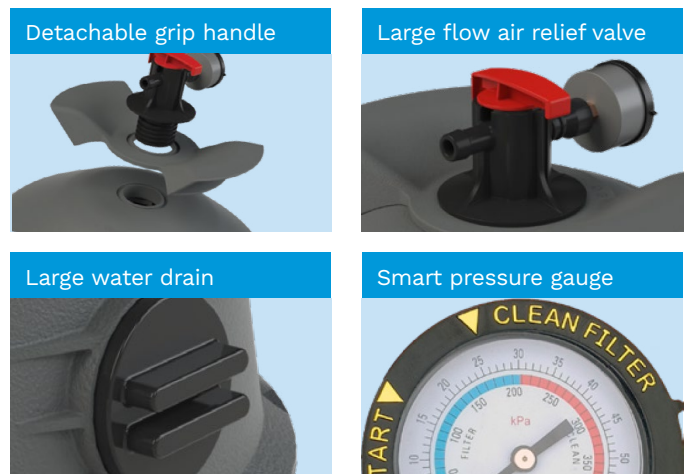
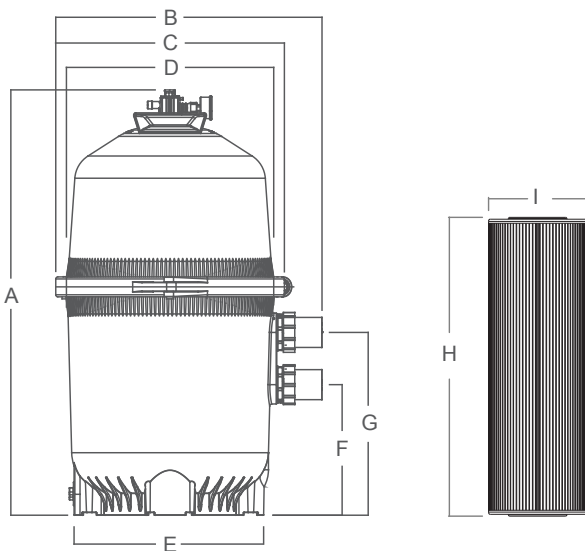
- ✓ Reduced cleaning and maintenance
- ✓ High strength long life filter tank
- ✓ Suitable for residential or commercial pools & spas



Deliver superior ultra clear water

The Oasis Aquatics Quad Element Cartridge Filter is designed to be the best in its class. Adopting the latest technology and constructed with non-corroding and durable materials, the Oasis Aquatics Cartridge Filter has a bigger filter area than most models on the market.

The high capacity tank partnered with the advanced quad element raises hydraulic dirt-catching performance to new levels. The ideal eco and user friendly choice for residential and commercial pools.



Technical Information:

Model	Filtration Area m ²	Design Flow lpm	A mm	B mm	C mm	D mm	E mm	F mm	G mm
QE330	30.73	468	886	648	556	504	462	317.5	444.5
QE530	49.19	575	1223	648	556	504	462	317.5	444.5

Model	Fold no.	Micron µm	H mm	I mm
QE330-ELEMENT	198	15	498	ø 178
QE530-ELEMENT	187	15	835	ø 178

Warranty

For full product warranty information, please visit: sunloverheating.com.au/warranties/



For more details visit oasisaquatics.com.au

Head Office
6-8 Austral Place,
Hallam VIC 3803
T: 03 9887 2131

New South Wales
Unit 2, 10 Boden Road,
Seven Hills NSW 2147
T: 02 9838 0000

Queensland
11 Andys Court,
Upper Coomera QLD 4209
T: 07 5679 6821

